

ASEPTIQUICK® S SERIES CONNECTORS

Specifications ● ● ●

PRESSURE:

Up to 60 psi, 4.1 bar

TEMPERATURE:

39°F to 104°F (4°C to 40°C)

STERILIZATION:

Gamma: Up to 50kGy irradiation

AutoClave High Temp (HT) Version:

Up to 266°F (130°C) for 60 minutes

TERMINATION SIZES:

1/8", 1/4" and 3/8" ID hose barb (3.2mm, 6.4mm and 9.5mm), 3/4" sanitary and MPC insert

MATERIALS:

Main Components:

Polycarbonate (white), USP Class VI, ADCF

Pull Tabs/Caps:

Polycarbonate (blue, standard version),
USP Class VI, ADCF

Polycarbonate (white, HT version),
USP Class VI, ADCF

Seals:

Silicone (clear), platinum-cured,
USP Class VI, ADCF

Membrane:

Polyethylene (standard version),
USP Class VI, ADCF

Hydrophobic polyethersulfone (HT version),
USP Class VI, ADCF, PTFE strip sticker

AseptiQuik® S Small Format 1/8" and 1/4" Connectors

provide quick and easy sterile connections for small-flow applications, even in non-sterile environments. The "FLIP-CLICK-PULL" design of AseptiQuik S enables users to easily transfer small volumes of media with less risk of operator error. The connector's genderless and robust design provides reliable performance without the need for clamps, fixtures or tube welders. Biopharmaceutical manufacturers can now make 1/8" and 1/4" sterile connections with the quality and market availability they expect from the leader in single-use connection technology.

FEATURES

Genderless design

FLIP-CLICK-PULL

Integrated pull tab covers

Robust construction

CPC Click

BENEFITS

Eases single-use systems specifications with one part number for both halves

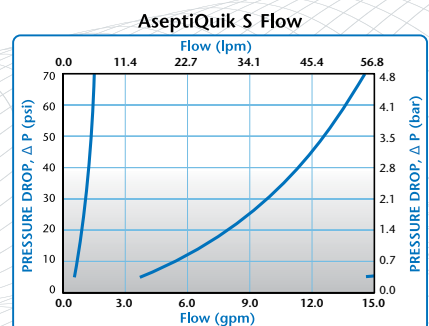
Intuitive three-step connection process reduces risk of operator error

Provide pre-assembly protection and ensure simultaneous removal of both membranes

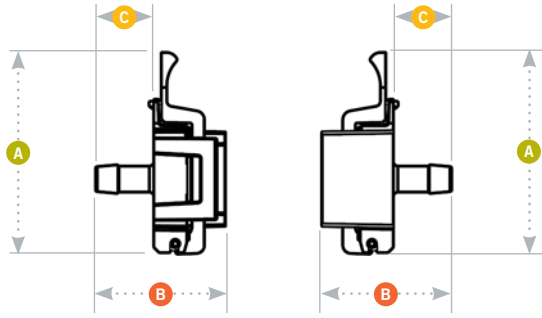
Repeatable and reliable performance with no additional hardware required

Audible confirmation of assembly

⚠ This graph is intended to give you a general idea of the performance capabilities of each product line. The shaded area of the graph represents the operating range of the product family, i.e. upper and lower values are shown. Therefore, depending on the exact coupling configurations selected, you can reasonably expect values to fall within the shaded area.



ASEPTIQUIK® S SERIES DIMENSIONS



- A** = Height/Diameter
- B** = Total Length
- C** = Hose Barb Length

For validation reports, visit cpcworldwide.com/bio and for extractables data, contact info@cpcworldwide.com

Coupling Bodies

• POLYCARBONATE with Blue Pull Tabs



TERMINATION
 1/8" HOSE BARB
 1/4" HOSE BARB
 3/8" HOSE BARB
 3/4" SANITARY
 MPC INSERT

PART NO.
 AQS17002
 AQS17004
 AQS17006
 AQS33012
 AQS17MPC

A
 2.25
 2.25
 2.25
 2.25
 2.25

B
 1.30
 1.45
 1.45
 1.60
 1.49

C
 0.50
 0.65
 0.65
 0.80
 0.69

• POLYCARBONATE HT with White Pull Tabs



TERMINATION
 1/8" HOSE BARB
 1/4" HOSE BARB
 3/8" HOSE BARB
 3/4" SANITARY
 MPC INSERT

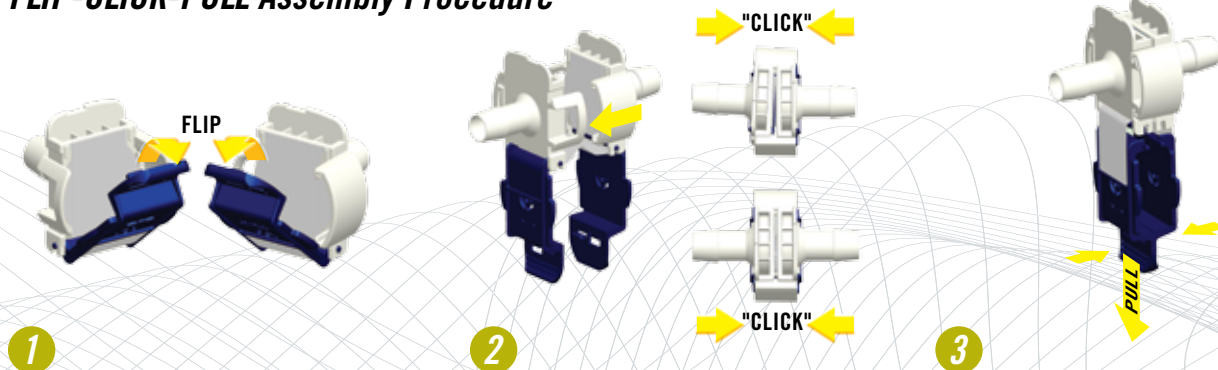
PART NO.
 AQS17002HT
 AQS17004HT
 AQS17006HT
 AQS33012HT
 AQS17MPCHT

A
 2.25
 2.25
 2.25
 2.25
 2.25

B
 1.30
 1.45
 1.45
 1.60
 1.49

C
 0.50
 0.65
 0.65
 0.80
 0.69

FLIP-CLICK-PULL Assembly Procedure



1
 Unsnap and flip down the protective pull tab covers on each connector half.

2
 Align the connector halves with the pull tabs hanging down. Slide the two halves together. Independently squeeze each side of the connector until you hear an audible "CPC Click."

3
 To complete the connection, simply snap the pull tabs together by pushing on the CPC logos and pull the membranes from the connector.