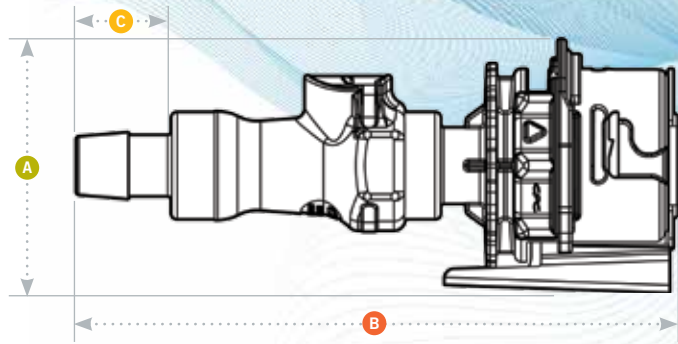


ASEPTIQUIK® DC SERIES DIMENSIONS

- A** = Height/Diameter
- B** = Total Length
- C** = Hose Barb Length



Coupling Bodies • POLYCARBONATE



TERMINATION
 1/4" HOSE BARB
 3/8" HOSE BARB
 1/2" HOSE BARB

PART NO.
 AQCDC17004
 AQCDC17006
 AQCDC17008

FLOW
 1/4"
 3/8"
 3/8"

A
 2.36 (59.9)
 2.36 (59.9)
 2.36 (59.9)

B
 5.33 (135.4)
 5.33 (135.4)
 5.62 (142.7)

C
 0.60 (15.2)
 0.60 (15.2)
 0.89 (22.6)

Coupling Inserts • POLYCARBONATE



TERMINATION
 1/4" HOSE BARB
 3/8" HOSE BARB
 1/2" HOSE BARB

PART NO.
 AQCDC22004
 AQCDC22006
 AQCDC22008

FLOW
 1/4"
 3/8"
 3/8"

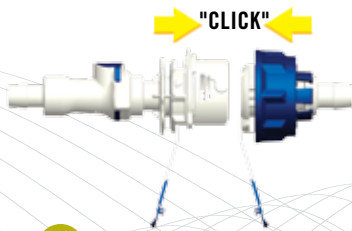
A
 2.50 (63.5)
 2.50 (63.5)
 2.50 (63.5)

B
 5.41 (137.4)
 5.41 (137.4)
 5.70 (144.8)

C
 0.60 (15.2)
 0.60 (15.2)
 0.89 (22.6)

CLICK-PULL-TWIST Assembly Procedure

To Disconnect



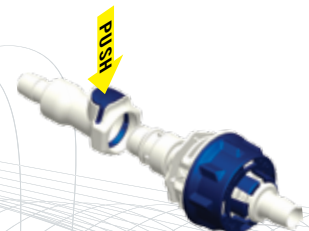
1
 Align male and female couplings, push together until audible "CPC Click" confirmation.
 Slight rotation of lock ring may be required for proper alignment prior to connection.



2
 Snap membrane pull tabs together and pull from connector.



3
 Twist the blue lock ring clock-wise until "CPC Click" and rib to arrow alignment confirms secure final connection.



When fluid transfer is finished, press the thumb latch down to complete the sterile disconnection. Both halves will remain sterile.

ASEPTIQUIK® X SERIES CONNECTORS

Specifications ● ● ●

PRESSURE:

Up to 60 psi, 4.1 bar

TEMPERATURE:

39°F to 104°F (4°C to 40°C)

STERILIZATION:

Gamma: Up to 50kGy irradiation

Autoclave High Temp (HT) Version: Up to 266°F (130°C) for 30 minutes

TERMINATION SIZES:

3/4" and 1" ID hose barb (19.0mm and 25.4mm),
1-1/2" sanitary

MATERIALS:

Main Components:

PVDF (white), USP Class VI, ADCF

Lock Ring:

PVDF (blue), USP Class VI, ADCF

Pull Tabs:

Polycarbonate (blue, standard version),
USP Class VI, ADCF

Polycarbonate (white, HT version), USP Class VI,
ADCF

Caps:

Polypropylene (clear), USP Class VI, ADCF

Seals:

Silicone (clear), platinum-cured,
USP Class VI, ADCF

Membrane:

Polyethylene (standard version),
USP Class VI, ADCF

Hydrophobic polyethersulfone (HT version),
USP Class VI, ADCF, PTFE strip sticker

AseptiQuik® X Large Format 1" Connectors provide quick and easy sterile connections for high flow applications, even in non-sterile environments. AseptiQuik X's "TWIST-PULL-TWIST" design enables users to quickly transfer large volumes of media easily with less risk of operator error. The connector's robust design provides reliable performance without the need for clamps, fixtures or tube welders. Biopharmaceutical manufacturers can now make 1" sterile connections with the quality and market availability they expect from the leader in single-use connection technology.

FEATURES

TWIST-PULL-TWIST Design

Membrane pull tabs

Robust construction

Integrated lock ring

CPC Click

BENEFITS

Intuitive three-step connection process reduces risk of operator error

Ensure simultaneous and secure removal of both membranes

Repeatable and reliable performance with no additional hardware required

Secures final connection preventing disassembly

Audible confirmation of completed assembly steps

⚠ This graph is intended to give you a general idea of the performance capabilities of each product line. The shaded area of the graph represents the operating range of the product family, i.e. upper and lower values are shown. Therefore, depending on the exact coupling configurations selected, you can reasonably expect values to fall within the shaded area.

