

ASEPTIQUIK® C SERIES CONNECTORS



AseptiQuik® C Connectors provide quick and easy sterile connections, even in non-sterile environments. AseptiQuik's "CLICK-PULL-TWIST" design enables users to transfer media easily with less risk of operator error. The connector's robust design provides reliable performance without the need for clamps, fixtures or tube welders. Biopharmaceutical manufacturers can make sterile connections with the quality and market availability they expect from the leader in single-use connection technology.

Specifications ● ● ●

PRESSURE:

Up to 60 psi, 4.1 bar

TEMPERATURE:

39°F to 104°F (4°C to 40°C)

TYPICAL FLOW RATE:

Cv = 14.4 max

STERILIZATION:

Gamma: Up to 50kGy irradiation

Autoclave High Temp (HT) Version:
Up to 266°F (130°C) for 30 minutes

TERMINATION SIZES:

3/8" (9.5mm) and 1/2" (12.7mm) ID hose barb, and 3/4" sanitary

MATERIALS:

Main Components:

Polycarbonate (white), USP Class VI, ADCF

Lock Ring:

Polycarbonate (blue), USP Class VI, ADCF

Pull Tabs:

Polycarbonate (blue, standard version),
USP Class VI, ADCF

Polycarbonate (white, HT version),
USP Class VI, ADCF

Caps:

Polypropylene (clear), USP Class VI, ADCF

Seals:

Silicone (clear), platinum-cured, USP Class VI,
ADCF

Membrane:

Polyethylene (standard version),
USP Class VI, ADCF

Hydrophobic polyethersulfone (HT version),
USP Class VI, ADCF

FEATURES

CLICK-PULL-TWIST design

Membrane pull tabs

Robust construction

Integrated lock ring

CPC Click

Market availability

BENEFITS

Intuitive three-step connection process reduces risk of operator error

Ensure simultaneous and secure removal of both membranes

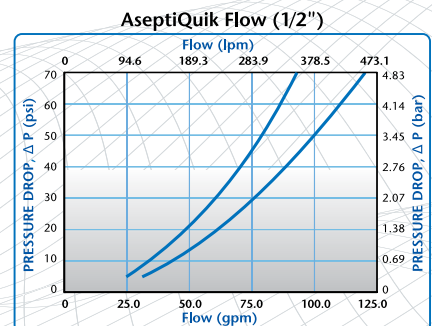
Repeatable and reliable performance with no additional hardware required

Secures final connection preventing disassembly

Audible confirmation of completed assembly steps

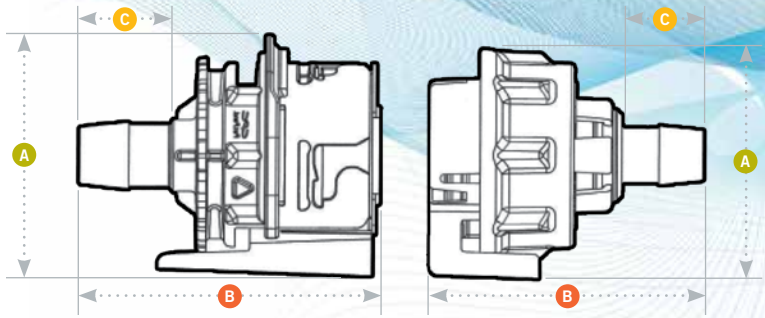
Open access through multiple supply chain partners

This graph is intended to give you a general idea of the performance capabilities of each product line. The shaded area of the graph represents the operating range of the product family, i.e. upper and lower values are shown. Therefore, depending on the exact coupling configurations selected, you can reasonably expect values to fall within the shaded area.



ASEPTIQUIK® C SERIES DIMENSIONS

- A** = Height/Diameter
- B** = Total Length
- C** = Hose Barb Length



Coupling Bodies

• POLYCARBONATE with Blue Pull Tabs

TERMINATION	PART NO.	FLOW	A	B	C
3/8" HOSE BARB	AQC17006	.34	2.36 (59.9)	2.74 (69.6)	0.65 (16.5)
1/2" HOSE BARB	AQC17008	.50	2.36 (59.9)	2.95 (74.9)	0.89 (22.6)
3/4" SANITARY	AQC33012	.50	2.36 (59.9)	2.73 (69.3)	0.70 (17.8)

• POLYCARBONATE HT with White Pull Tabs

TERMINATION	PART NO.	FLOW	A	B	C
3/8" HOSE BARB	AQC17006HT	.34	2.36 (59.9)	2.74 (69.6)	0.65 (16.5)
1/2" HOSE BARB	AQC17008HT	.50	2.36 (59.9)	2.95 (74.9)	0.89 (22.6)
3/4" SANITARY	AQC33012HT	.50	2.36 (59.9)	2.73 (69.3)	0.70 (17.8)

Coupling Inserts

• POLYCARBONATE with Blue Pull Tabs

TERMINATION	PART NO.	FLOW	A	B	C
3/8" HOSE BARB	AQC22006	.34	2.50 (63.5)	2.90 (73.7)	0.65 (16.5)
1/2" HOSE BARB	AQC22008	.50	2.50 (63.5)	2.99 (75.9)	0.89 (22.6)
3/4" SANITARY	AQC44012	.50	2.50 (63.5)	2.80 (71.1)	0.70 (17.8)

• POLYCARBONATE HT with White Pull Tabs

TERMINATION	PART NO.	FLOW	A	B	C
3/8" HOSE BARB	AQC22006HT	.34	2.50 (63.5)	2.90 (73.7)	0.65 (16.5)
1/2" HOSE BARB	AQC22008HT	.50	2.50 (63.5)	2.99 (75.9)	0.89 (22.6)
3/4" SANITARY	AQC44012HT	.50	2.50 (63.5)	2.80 (71.1)	0.70 (17.8)

CLICK-PULL-TWIST Assembly Procedure

- 1** Align male and female couplings, push together until "CPC Click" confirmation. Slight rotation of lock ring may be required for proper alignment prior to connection.
- 2** Snap membrane pull tabs together and pull from connector.
- 3** Twist the blue lock ring clock-wise until "CPC Click" and rib to arrow alignment confirms secure final connection.